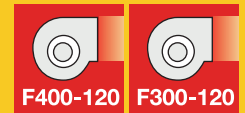


ARMO-J

Axial Jet Fans



Jet Fans are high temperature resistant fans which direct the toxic gases to exhaust points by means of creating jet flow, thrust and momentum thanks to having long casing. Thereby this keeps emergency exits and escaping routes free of smoke. These devices are mounted via mounting feet in conformity with the structural beams, sprinkler system units and installment units distribution.

Technical Descriptions

General Specifications

- Tested and certified in accordance with EN 12101 – 3 and CE.
- Ensured non – stop operation at elevated temperatures of 300°C and 400°C for 2 hours respectively.
- Different fan dimensions as 315, 355 and 400 mm respectively.
- Special deflector design to avoid architectural disadvantages
- Esthetic appearance

Rotor Specifications

- High temperature resistant aluminum alloy casting blades and hub.
- Rotors can operate uni – directional and fully – reversible. Blades are specially designed for each direction type and have airfoil structure which has high aerodynamic performances.
- Fully – reversible blades can provide same thrusts for each type of directions.
- The fan wheel is dynamically balanced in accordance with ISO 1940.
- The hub is specially designed.

Casing Specifications

- All casings are sheet steel with a corrosion resistant hot dipped galvanized finish.
- In addition to standard long – cased fans, the short – cased version is also available for limited installation spaces.
- The isolation material is mineral wool which is much more health – friendly than rock wool.

Motor Specifications

- 2 and 4 pole motors available
- IP 55 protection class
- Class – H insulation

Inlet Cone

- The inlet cone is specially designed to provide considerable benefit to aerodynamic performance and decrease sound levels.

Stators

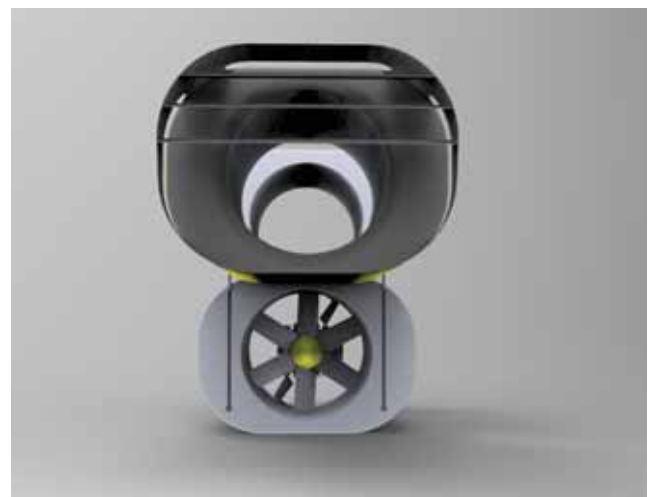
- Stators are specially designed to provide considerable benefit to aerodynamic performance and decrease sound levels due to straight the fluid and convert its kinetic energy effects to pressure.

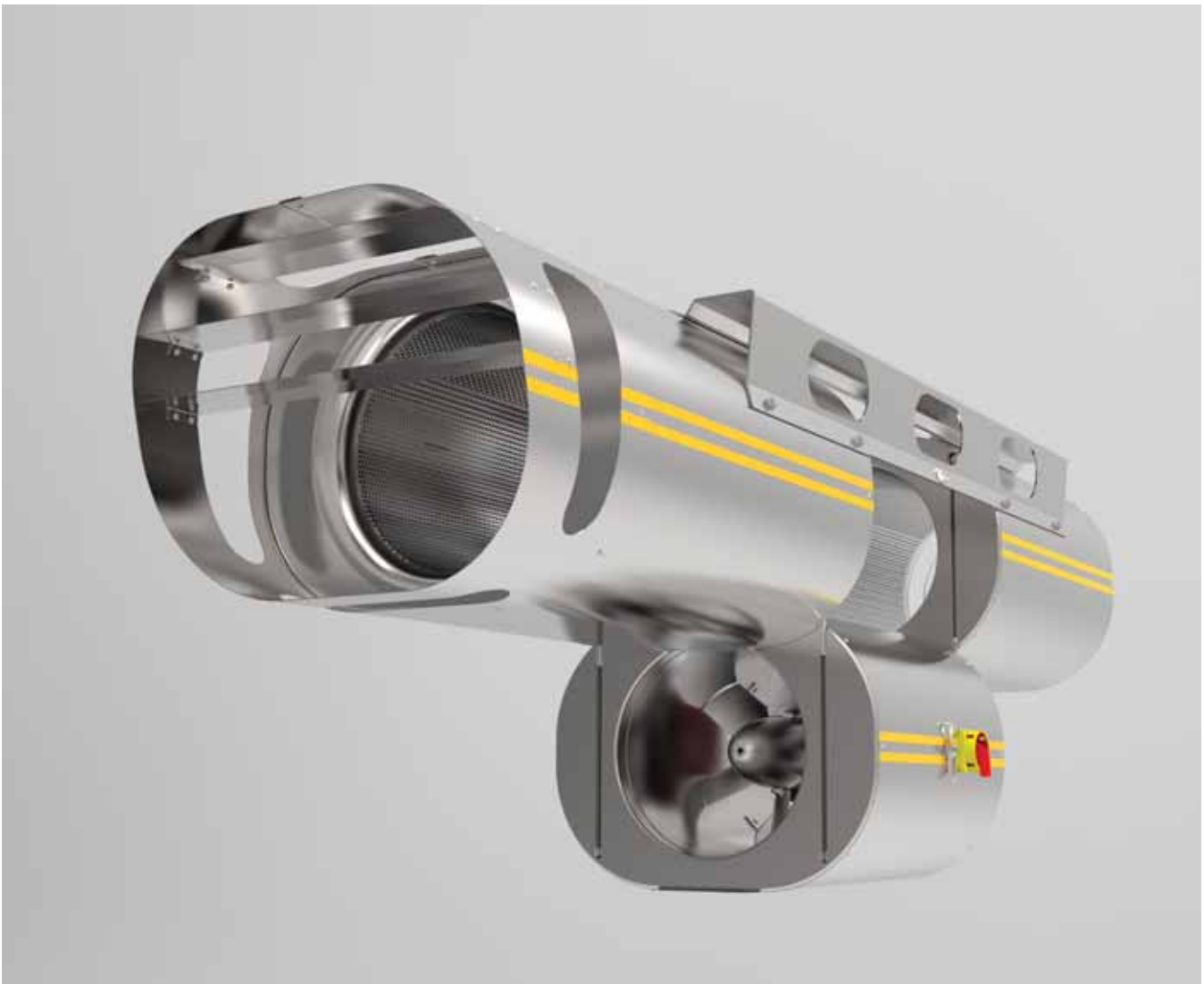
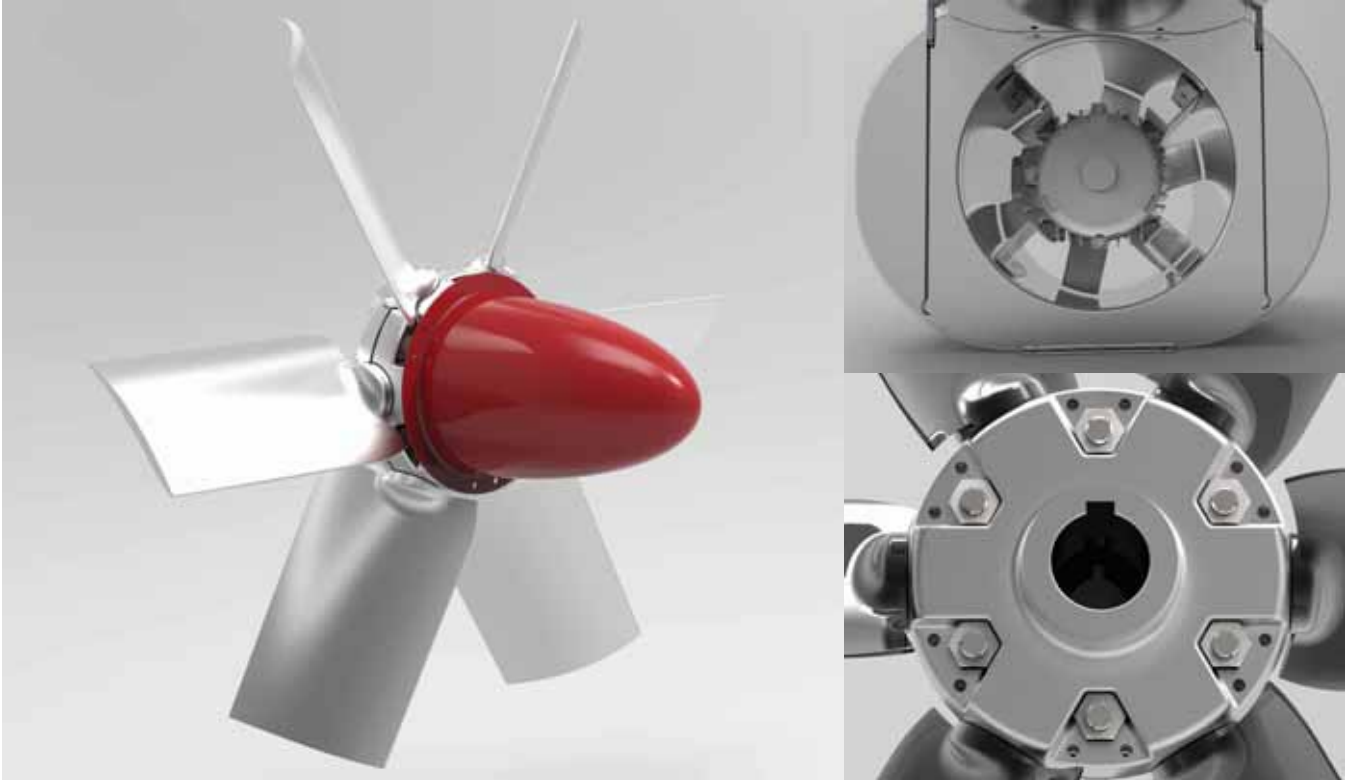
Inlet Nose

- The inlet cone is specially designed to provide considerable benefit to aerodynamic performance and decrease sound levels due to provide a smooth passing of air from backward of the fan to blades and avoid the back flows and separation near the hub.

Easy to Maintain

- We have 2 types of fan in terms of maintenance.
- 3 part model: Jet Fan is consisting of 2 stationary silencers and a mobile part which can move downward the device via slide way system. Thanks to this system, you can maintain the jet fan easily avoiding the architectural handicaps. The samples are shown as below.
 - 2 part model (“Pull – Split Model”): Jet Fan is consisting of 1 mobile silencer which can disassemble from stationary silencer which gives easy maintenance.





DUCT FANS

ROOF FANS

AXIAL FANS

RADIAL FANS

PLASTIC FANS

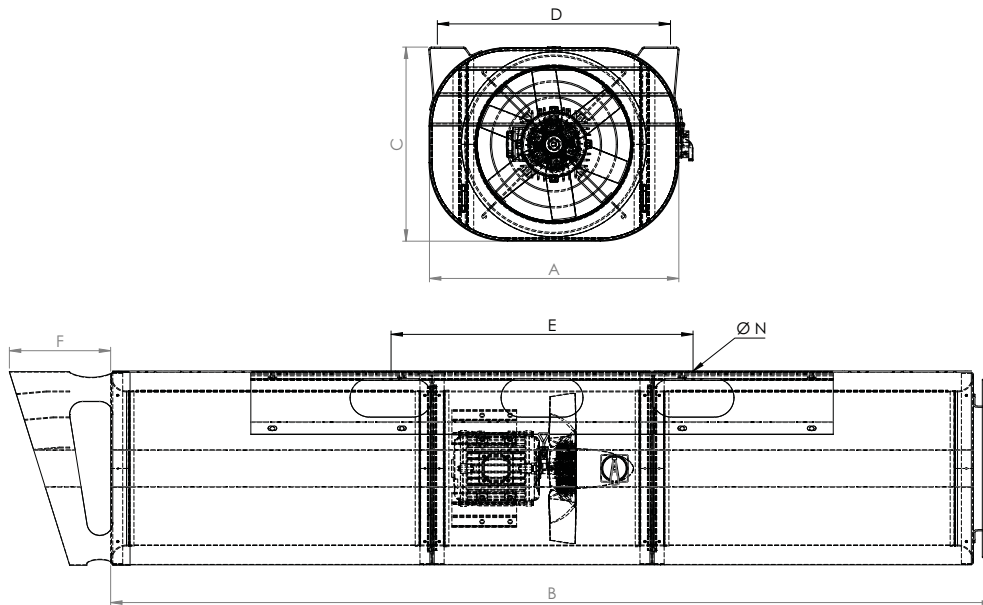
VENTILATORS

SMOKE EXHAUST SYSTEMS

ACCESSORIES

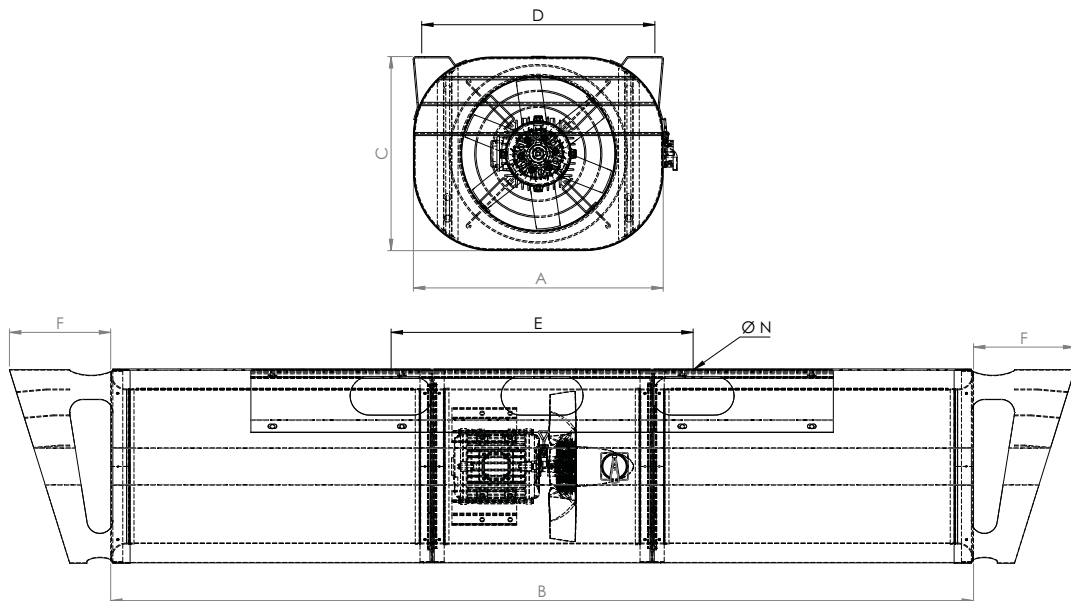
SMOKE AND HEAT EXHAUST VENTILATION SYSTEMS

UNI-DIRECTIONAL JET FAN

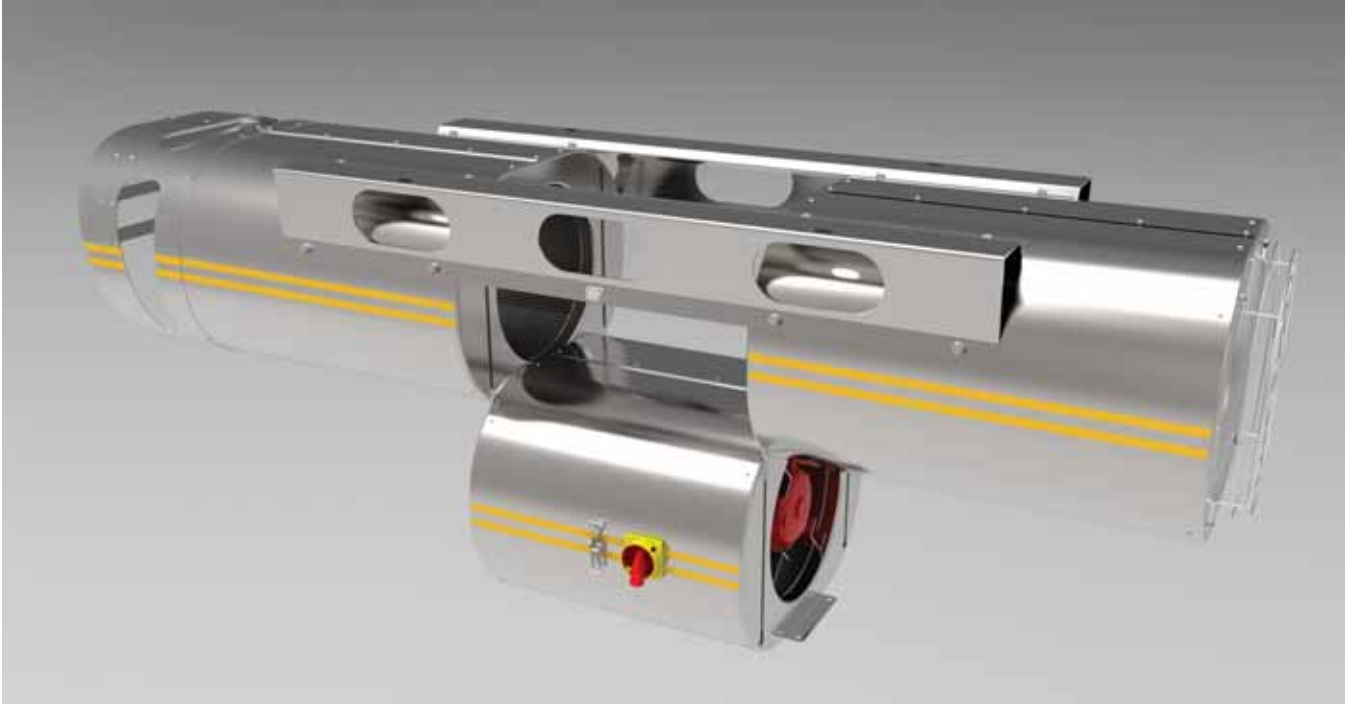


ARMO/3UL	A	B	C	D	E	F	ØN
Ø315	532	1788	402	495	700	245	M12
Ø355	579	2047	450	540	700	245	M12
Ø400	622	2292	492	586	700	245	M12

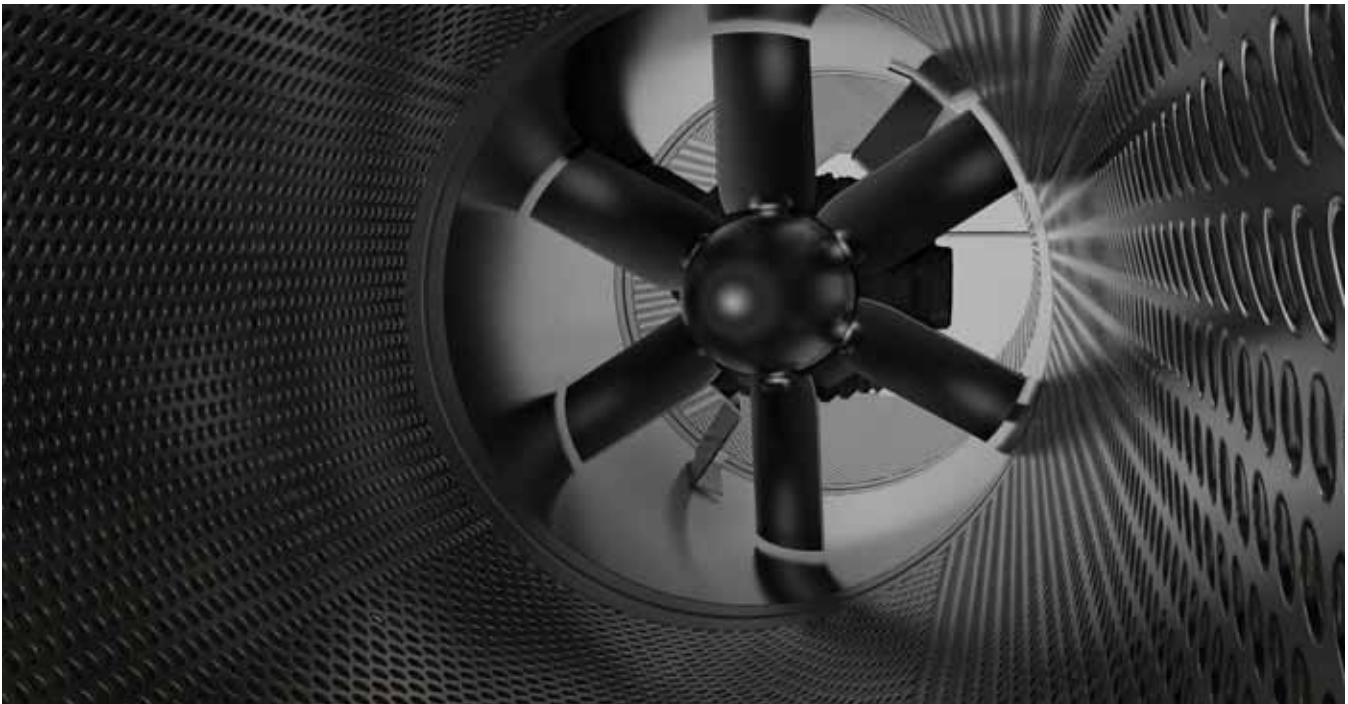
REVERSIBLE JET FAN



ARMO/3RL	A	B	C	D	E	F	ØN
Ø315	532	1745	402	495	700	245	M12
Ø355	579	2000	450	540	700	245	M12
Ø400	622	2250	492	586	700	245	M12



TYPE	THRUST	AIR VOLUME	MOTOR RATED POWER	MOTOR RATED CURRENT	SPEED	SOUND PRESSURE LEVEL AT 3m	WEIGHT
	(N)	m ³ /s	kW	(A)	rpm	LpA dB(A)	kg
ARMO-J315/ UL3	44/11	1,67/0,83	1,1 / 0,25	2,2/0,55	2810 / 1390	66/49	91
ARMO-J355/ UL3	59/ 14	2,22/1,11	1,5 / 0,37	3,4/0,8	2900 / 1435	70/52	98
ARMO-J400/ UL3	86/21	3,02/1,51	2,5 / 0,5	5,1/1,3	2845 / 1420	72/53	105
ARMO-J315/ UR3	36/9	1,5/0,75	1,1 / 0,25	2,2/0,55	2810 / 1390	62/45	93
ARMO-J355/ UR3	54/13	2,11/1,05	1,5 / 0,37	3,4/0,8	2900 / 1435	66/48	100
ARMO-J400/ UR3	77/19	2,85/1,42	2,5 / 0,5	5,1/1,3	2845 / 1420	68/49	107



DUCT FANS

ROOF FANS

AXIAL FANS

RADIAL FANS

PLASTIC FANS

VENTILATORS

SMOKE EXHAUST SYSTEMS

ACCESSORIES